



ILLUMRA self-powered wireless Bluetooth switches are compatible with enlightened room control solutions and use no wires or batteries. Pressing the switch creates the energy to transmit a wireless signal that controls lights or other devices.

### Easy-To-Use

- Installs in minutes
- Requires no wiring
- Easy to configure
- Communicates with compatible receivers

### Reliable Range

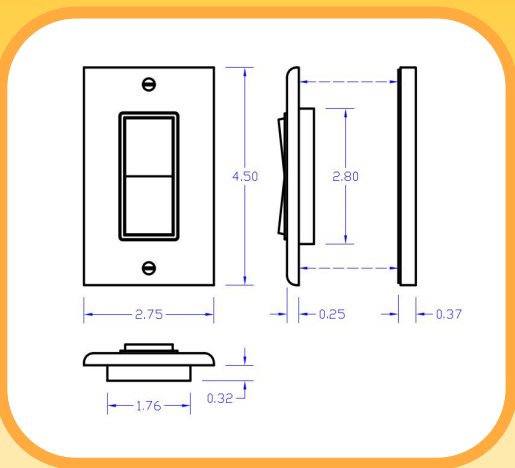
- 30-100 foot operating range (typical)

### Save Time and Money

Avoid costly and time-consuming installation of hardwire switches by choosing ILLUMRA wireless switches and receivers. Installing a switch doesn't have to mean tearing open a wall.

### Save Energy

Save energy and money by creating Manual ON / Auto OFF controls using ILLUMRA switches and occupancy sensors or by programming all lights to respond to a single master switch. ILLUMRA makes it easy to keep lights and systems off when not in use!



115 S State St, Suite B  
Lindon, UT 84042

T: (801) 349 1200  
F: (801) 614 7100  
Sales@ILLUMRA.com

# Self-powered Wireless Switch

Bluetooth 2.4 GHz



### 6 Colors Available

- White
- Light Almond
- Ivory
- Gray
- Brown
- Black

(x) = WH, LA, IV, GR, BR, BK

### enlighted Switch Features

- Mount switches within range of an enlightened sensor (30-100ft)
- Press and Hold dimming
- Color Tuning Available with Dual Rocker Switch
- Reconfigure or relocate as needed
- Custom printing available
- European Style Available
- Made in the USA



### SPECIFICATIONS

Part Number	BTT-S1WA(x)	BTT-S2A(x)
Power Supply	Self-generated power when switch is pressed	
Power Consumption	No Power Consumption	
Output Channels	Only limited by the number of receivers in range	
Transmission Range	30-100 Feet (typical)	
Frequency	2.4GHz Bluetooth	
Switch Options	2 Buttons (Single Rocker)	4 Buttons (Dual Rocker)
Dimensions	2.75 (l) x 4.5 (h) x 0.62 (w) – Standard USA Switch Size	
Addressing	Factory set unique ID (1 of 4 billion)	
Radio Certification	Certified according to FCC and IC and CE regulations	

This device or certain aspects thereof is protected by at least one U.S. or international patent or has at least one such patent application pending.

ILLUMRA is a trademark of Ad Hoc Electronics, LLC. Other trademarks herein are the property of their respective owners