

# SU-5E Mounting Case



## SPECIFICATION

The Enlighted SU-5E Mounting Case provides a flexible solution for mounting the SU-5E Micro Sensor on a variety of surfaces either attached directly to or separate from a lighting fixture. Easy to install, the case securely supports the sensor and routes the sensor cable through the back or side of the case. After the bracket is mounted, the case can be easily rotated to adjust the sensor's field of view.



### OVERVIEW

The Enlighted SU-5E Mounting Case comprises the mounting bracket and a separate sensor carrier specifically designed for the SU-5E Micro Sensor. The mounting bracket has two pre-drilled mounting holes with screws to fit a variety of flat or curved surfaces. The bracket holds the sensor carrier securely while allowing a full 180 degrees of rotation. The sensor carrier has an end knock-out that supports a threaded nipple for mounting in a standard 7/8" opening. Both the sensor carrier and mounting bracket have back openings for easy cable egress.

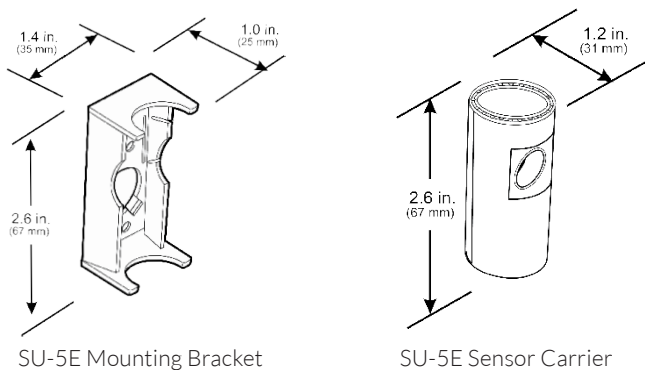
SU-5E Mounting Bracket Dimensions

L	2.6"	67 mm
W	1.4"	35 mm
Depth	1.0"	25 mm

### FEATURES

- Quick and easy to install
- Design blends in for a discrete appearance
- Adjustable 180 degrees rotation of the sensor carrier inside the mounting bracket
- Bracket and carrier case do not inhibit the sensor's field of view

### DIMENSIONS



### TECHNICAL SPECIFICATIONS

**Sensor Carrier:** Polycarbonate Polymer

**Mounting Bracket:** Galvanized Steel, Coated

**Mounting Bracket Weight:** 55 grams

**Mounting Hardware:** Chase Nipple and Lock Nut

Drywall Anchor Screw

1" Pan Head Screws

0.5" Self Tapping Screws

### ORDERING INFORMATION

CASE-SU-5E

Enlighted SU-5E Mounting Case

### ENLIGHTED SPECIFICATION SUBMITTAL

Job Name:

Job Number:

Product Code:

CASE-SU-5E